

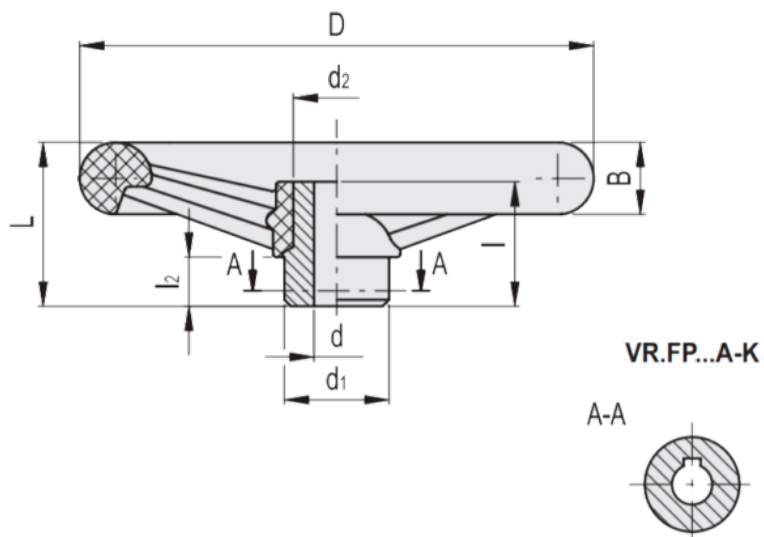
# Data Sheet



Article number: 23017771122  
Description: E+G Handwheel  
VR.250 FP-A22

## Measures

VR.FP-A



B	= 30	l	= 44
b	= 8	L	= 66
C (N*m)	= 405	L (J)	= 19
D	= 247	l2	= 15
d1	= d14	t	= 30.3
d2	= 38		
d\'	= 34		
d\''	= 27		